

PARTS CATALOGUE

for

B373 (STAR 110, PS-2200)

B375 (STAR 120E, PS-2300)

B376 (STAR 130E)

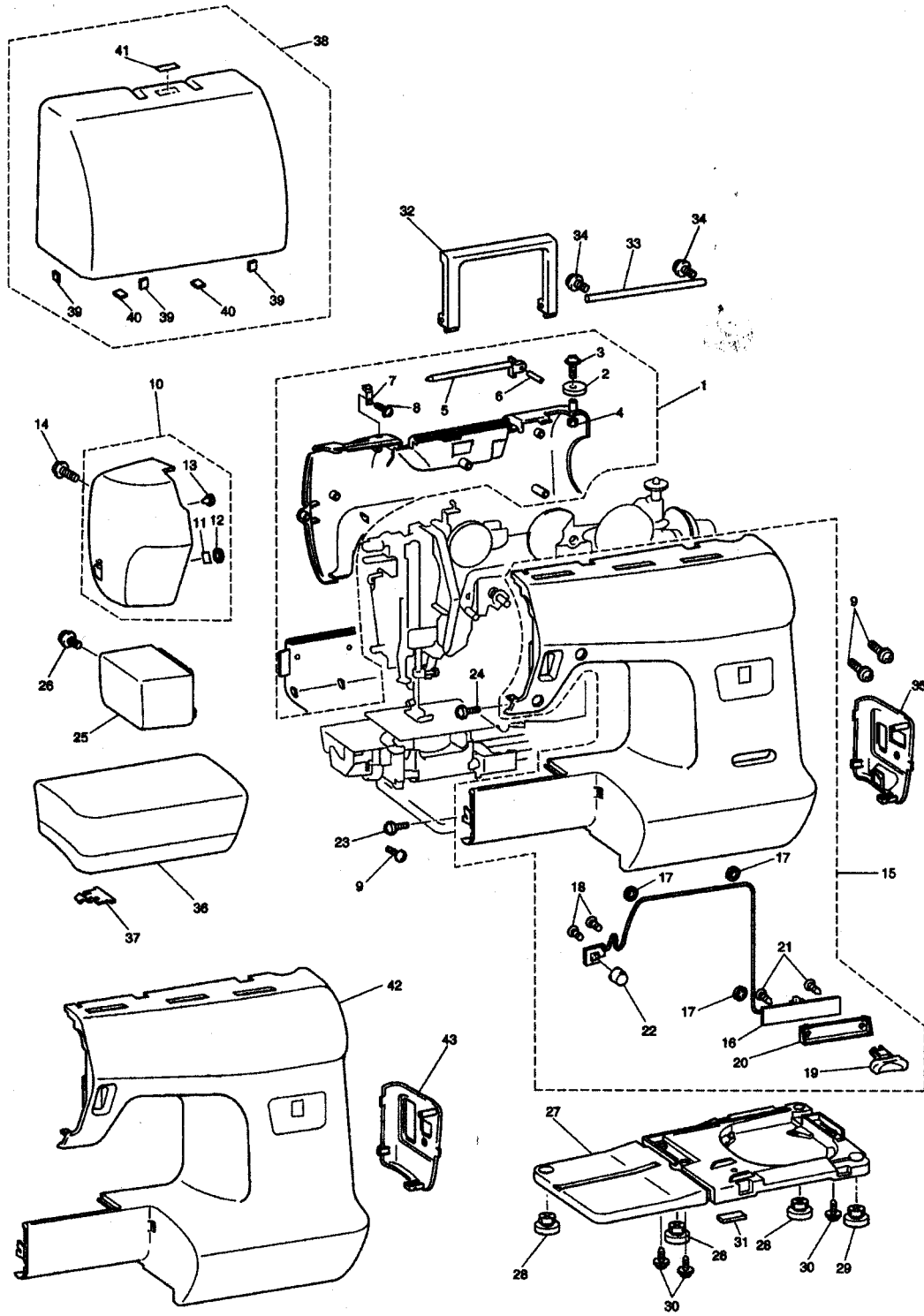
B377 (STAR 140E, PS-2500)

CONTENTS

| | |
|---|-----------|
| (1) PRINCIPAL PARTS | 2 |
| (2) UPPER SHAFT AND NEEDLE BAR | 4 |
| (3) FEED MECHANISM, ROTARY HOOK AND THREAD CUTTING | 6 |
| (4) ZIGZAG, BH MECHANISM AND PATTERN SELECT | 8 |
| (5) BOBBIN WINDER AND THREAD GUIDE | 10 |
| (6) LAMP, MAIN PC BOARD ASSY AND MOTOR UNIT | 12 |
| (7) ACCESSORY | 14 |

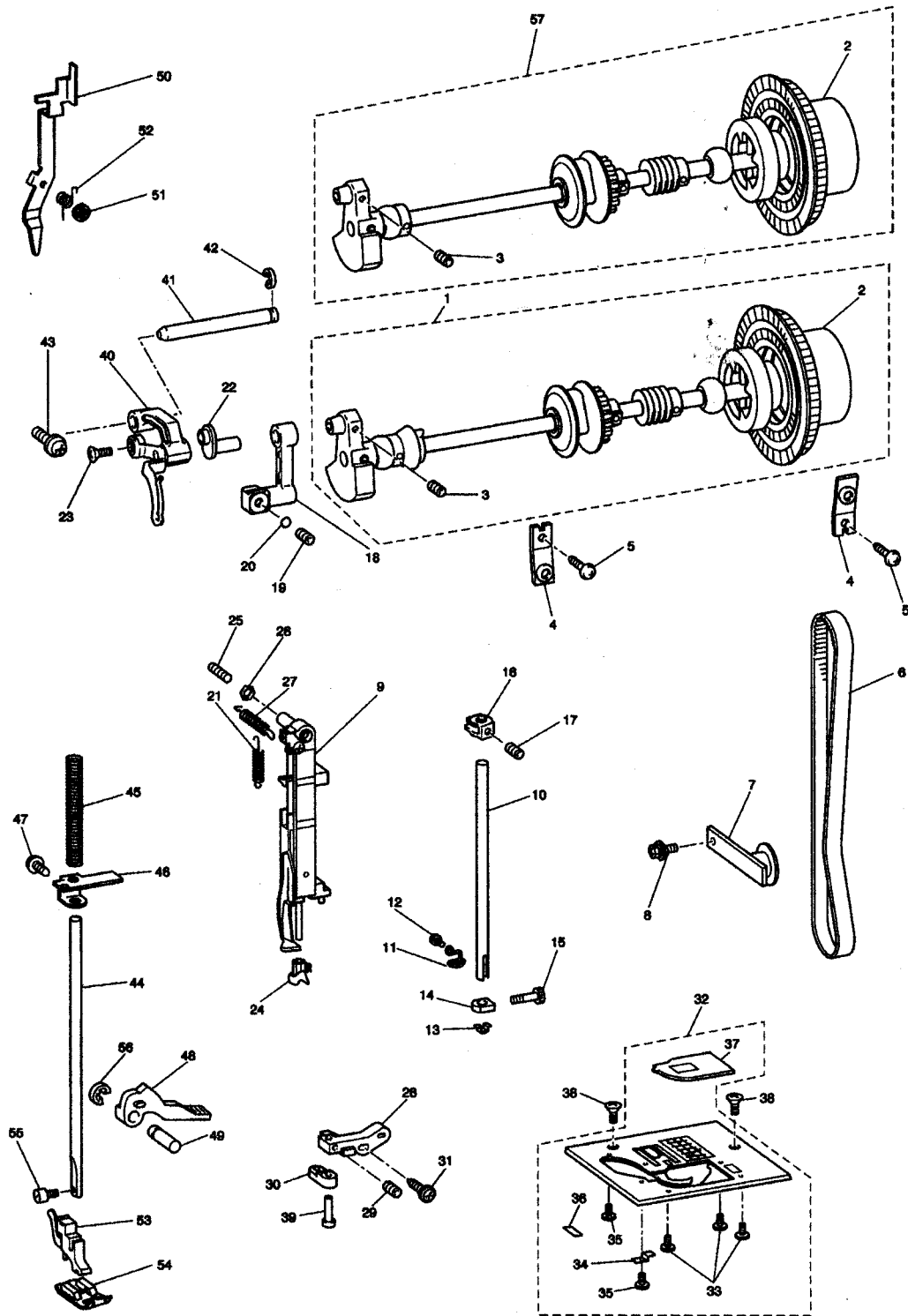
(1) PRINCIPAL PARTS

| No. | CODE | NAME | REMARKS | No. | CODE | NAME | REMARKS |
|-----|-----------|--|---------|-----|-----------|---------------------------------|---------|
| 1 | XA2459152 | Rear cover ASSY (PS series) | | 30 | 052401406 | Screw, Pan (S/P washer) M4x14 | |
| | XA2459153 | Rear cover ASSY (STAR series) | | 31 | XZ0008051 | Assistant rubber cushion | |
| 2 | XA2462051 | Bobbin presser | | 32 | XA2476051 | Carrying handle | |
| 3 | 052301606 | Screw, Pan (S/P washer) M3x16 | | 33 | XA2477051 | Handle shaft | |
| 4 | 021300106 | Nut, 1 M3 | | 34 | XA0649051 | Taptite, Cup S M4x14 | |
| 5 | X59053051 | Spool pin | | 35 | XA4648051 | Switch cover (B377, B376, B375) | |
| 6 | XA4471051 | Pin | | 36 | XA5676051 | Accessory table ASSY | |
| 7 | XA3150051 | Sub thread guide | | 37 | 138644051 | Accessory table notched spring | |
| 8 | 138433051 | Taptite, Pan B M3x6 | | 38 | XA2482052 | Machine cover ASSY | |
| 9 | XA3337051 | Taptite, Cup P M4x20 | | 39 | 125440050 | Case felt | |
| 10 | XA5658051 | Face plate ASSY (B377, B376, B375) | | 40 | XZ0016050 | Case felt | CHG |
| | XA5657051 | Face plate ASSY (PS-2200) | | 41 | XA3028051 | Decoration plate | |
| | XA5023051 | Face plate ASSY (STAR110) | | 42 | XA4995051 | Front cover ASSY (PS-2200) | |
| 11 | X80321051 | NT thread cutter ASSY | | | XA4995052 | Front cover ASSY (STAR110) | |
| 12 | 138384051 | Retaining ring, CSTW-5 | | 43 | XA4608051 | Switch cover (B373) | |
| 13 | X51895051 | Face plate bush | | | | | |
| 14 | 052401406 | Screw, Pan (S/P washer) M4x14 | | | | | |
| 15 | XA4927051 | Front cover ASSY (PS-2500) | | | | | |
| | XA4927052 | Front cover ASSY (STAR140E) | | | | | |
| | XA4974051 | Front cover ASSY (PS-2300) | | | | | |
| | XA4974052 | Front cover ASSY (STAR120E) | | | | | |
| | XA4974053 | Front cover ASSY (STAR130E) | | | | | |
| | XA4927053 | Front cover ASSY (PS-2500 Canada) | | | | | |
| | XA4974054 | Front cover ASSY (PS-2300 Canada) | | | | | |
| 16 | XA3196051 | SS-VR board ASSY (B377) | | | | | |
| | XA2433151 | SS-VR board ASSY (B376, B375) | | | | | |
| 17 | 146200051 | Retaining ring, CS4 | | | | | |
| 18 | 138433051 | Taptite, Pan B M3x6 | | | | | |
| 19 | XA2471051 | Speed key top | | | | | |
| 20 | XA2472051 | Key top holder | | | | | |
| 21 | X59629051 | Taptite, Bind B M3x10 | | | | | |
| 22 | XA2473051 | SS button (STAR130E, STAR120E, PS-2300 Canada) | | | | | |
| | XA2473052 | SS button (STAR140E PS-2500 Canada) | | | | | |
| | XA2473053 | SS button (PS-2500) | | | | | |
| | XA2473054 | SS button (PS-2300) | | | | | |
| 23 | U12017051 | Screw, Pan (T washer) M3x6 | | | | | |
| 24 | 053400806 | Screw, Pan (T washer) M4x8 | | | | | |
| 25 | XA2474051 | Freearm cover | | | | | |
| 26 | 053400806 | Screw, Pan (T washer) M4x8 | | | | | |
| 27 | XA4490051 | Base plate | | | | | |
| 28 | XA0627050 | Rubber cushion A | | | | | |
| 29 | XA0626050 | Rubber cushion B | | | | | |



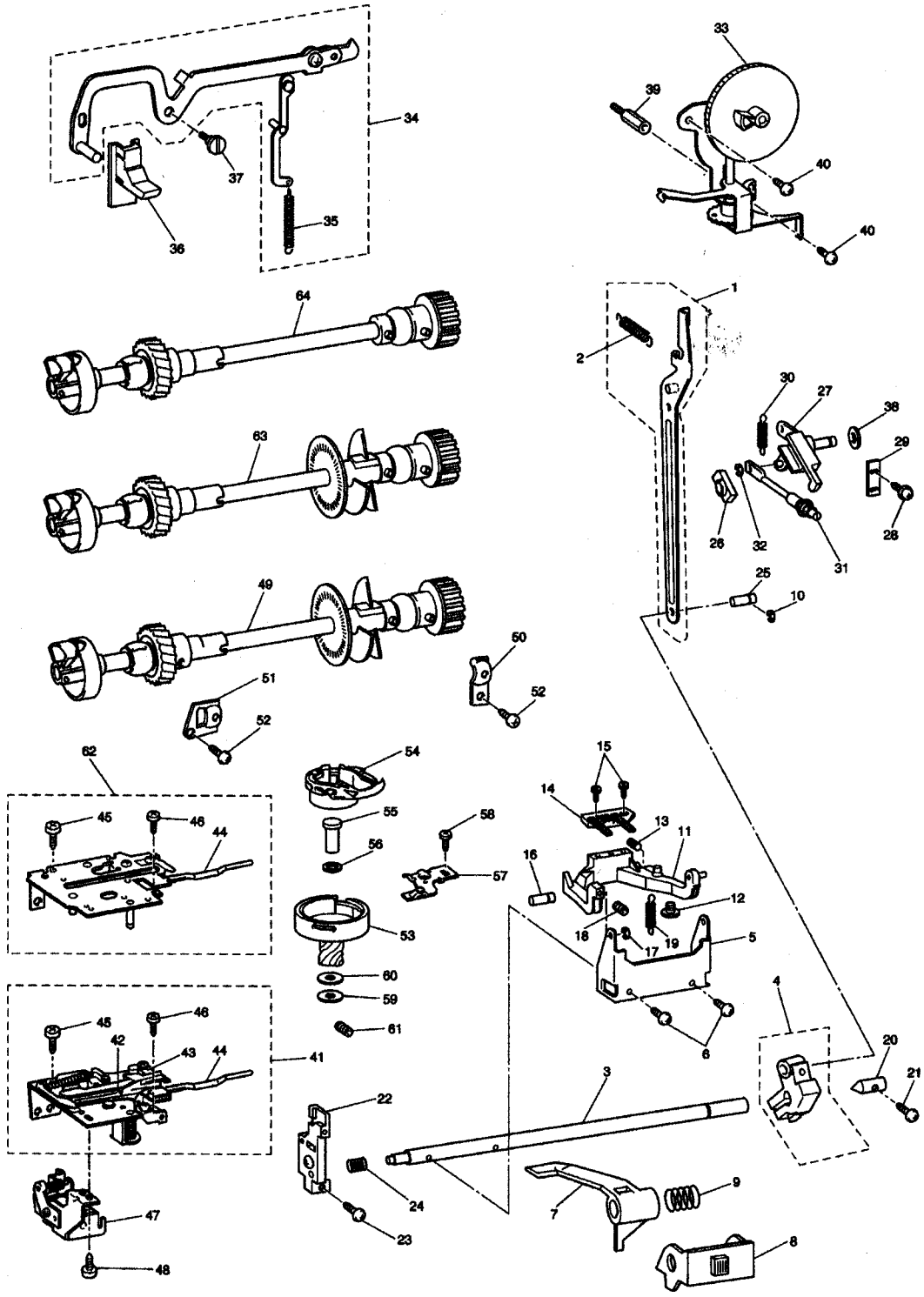
(2) UPPER SHAFT AND NEEDLE BAR

| No. | CODE | NAME | REMARKS | No. | CODE | NAME | REMARKS |
|-----|-----------|---------------------------------|---------|-----|-----------|-------------------------------------|---------|
| 1 | XA2485251 | Upper shaft ASSY (B377) | | 45 | XA2829051 | Presser bar spring | |
| 2 | X57370051 | Pulley | | 46 | XA2510051 | Presser bar bracket | |
| 3 | X54013051 | Set screw, SM6.35 | | 47 | X52760051 | Set screw, Pan M6×12 | |
| 4 | X52478051 | Presser plate A | | 48 | XA2511151 | Presser foot lifter | |
| 5 | X57908051 | Taptite, Bind S M4×10 | | 49 | XA4422050 | Presser foot lifter stud | |
| 6 | X53125051 | Timing belt 176XL031 | | 50 | XA2512051 | Tension release plate C | |
| 7 | XA2492051 | Tension pulley ASSY | | 51 | 120454051 | Retaining ring, CS4 | |
| 8 | XA3004051 | Bolt, (S/P washer) M5×12 | | 52 | XA2513051 | Spring, Torsion | |
| 9 | XA4523251 | Needle bar supporter complete | | 53 | 138134051 | Presser foot holder | |
| 10 | 136872151 | Needle bar | | 54 | XA5530051 | Zigzag presser foot | |
| 11 | X50109100 | Needle bar thread guide | | 55 | 132730151 | Tightening screw 3.57 | |
| 12 | X53053052 | Screw, SM2.38 | | 56 | 048050346 | Retaining ring, E5 | |
| 13 | 125161180 | Needle guide plate | | 57 | XA4975051 | Upper shaft ASSY (B376, B375, B373) | |
| 14 | X58831051 | Needle clamp | | | | | |
| 15 | 131226051 | Needle clamp screw | | | | | |
| 16 | X52882150 | Thread positioner | | | | | |
| 17 | 014400432 | Set screw, Socket (CP) M4×4 | | | | | |
| 18 | X52850151 | Needle bar crank rod ASSY | | | | | |
| 19 | 014680432 | Set screw, Socket (CP) SM4.37×4 | | | | | |
| 20 | 100507050 | Metal plate | | | | | |
| 21 | X57374051 | Spring, Extension | | | | | |
| 22 | XA2499051 | Needle bar crank | | | | | |
| 23 | 132051052 | Screw, Flat SM3.57L | | | | | |
| 24 | XA1854001 | Hook ASSY | | | | | |
| 25 | 014401232 | Set screw, Socket (CP) M4×12 | | | | | |
| 26 | X56851051 | Nut | | | | | |
| 27 | X59952051 | Spring, Extension | | | | | |
| 28 | XA5544051 | Stud shaft holder ASSY | | | | | |
| 29 | 014400432 | Set screw, Socket (CP) M4×4 | | | | | |
| 30 | X58464001 | Needle bar supporter arm | | | | | |
| 31 | XA0649051 | Taptite, Cup S M4×14 | | | | | |
| 32 | XA4937051 | Needle plate ASSY | | | | | |
| 33 | 060260316 | Screw, Blind M2.6×3 | | | | | |
| 34 | X56029050 | Spring, Plate | | | | | |
| 35 | 060260316 | Screw, Blind M2.6×3 | | | | | |
| 36 | X80321051 | NT thread cutter ASSY | | | | | |
| 37 | X56828151 | Needle plate cover | | | | | |
| 38 | X50487051 | Screw | | | | | |
| 39 | X57647051 | Needle bar supporter stud | | | | | |
| 40 | XA2505051 | Thread take-up lever ASSY | | | | | |
| 41 | XA2508051 | Thread take-up lever stud | | | | | |
| 42 | 048050346 | Retaining ring, E5 | | | | | |
| 43 | XA0649051 | Taptite, Cup S M4×14 | | | | | |
| 44 | X57364051 | Presser bar | | | | | |



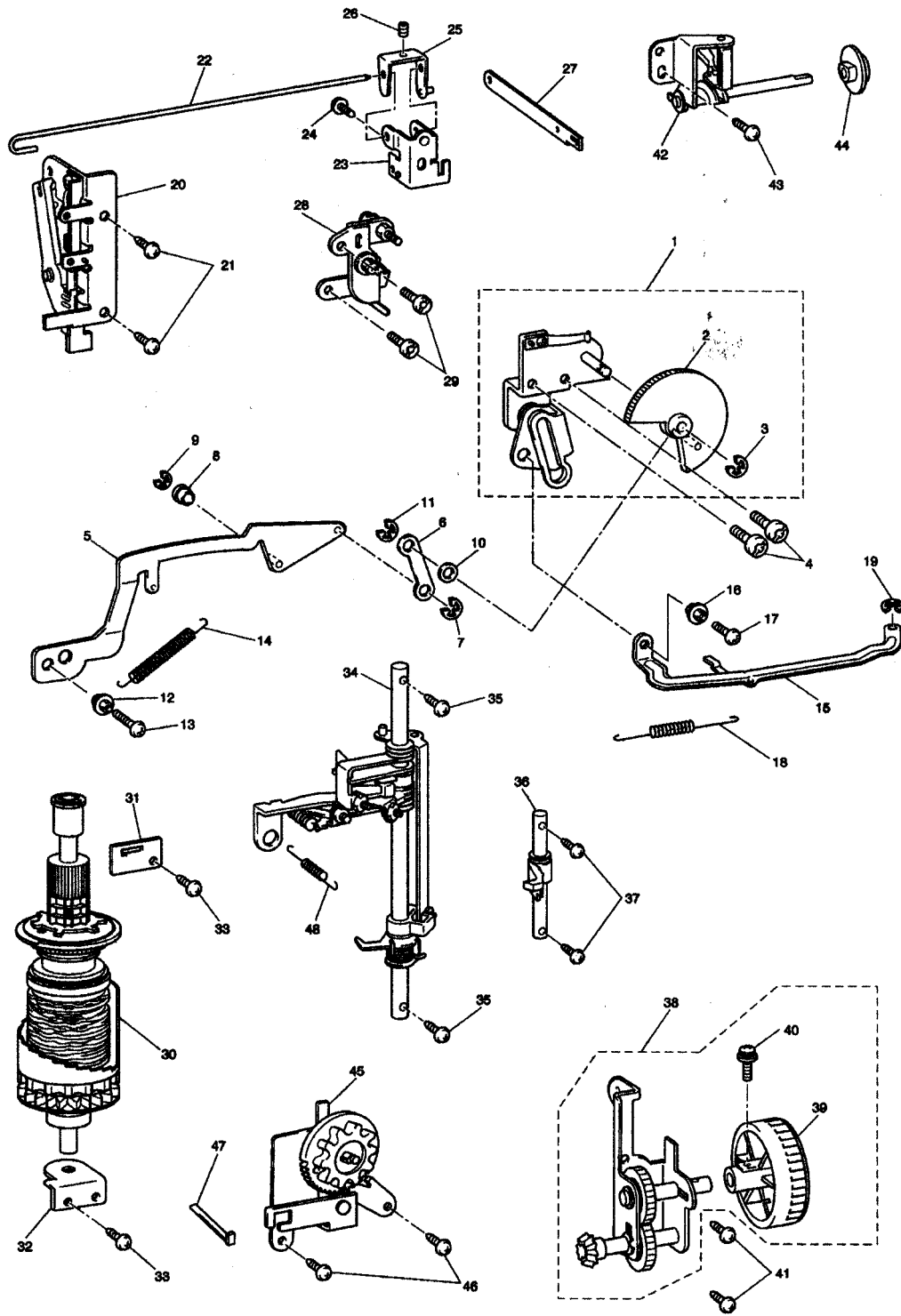
(3) FEED MECHANISM, ROTARY HOOK AND THREAD CUTTING

| No. | CODE | NAME | REMARKS | No. | CODE | NAME | REMARKS |
|-----|-----------|-------------------------------|---------|-----|-----------|--|---------|
| 1 | XA2514051 | Feed connecting rod ASSY | | 44 | XA5558151 | Lower thread guide arm ASSY | |
| 2 | X57350051 | Spring, Extension | | 45 | 060400616 | Screw, Bind M4x6 | |
| 3 | XA2519150 | Horizontal feed shaft | | 46 | 060300416 | Screw, Bind M3x4 | |
| 4 | X57347051 | Horizontal feed arm ASSY | | 47 | XA2578251 | Thread cutter solenoid ASSY (B377) | |
| 5 | XA1905051 | Horizontal feed plate | | 48 | 060300416 | Screw, Bind M3x4 (B377) | |
| 6 | 060400816 | Screw, Bind M4x8 | | 49 | XA4552051 | Lower shaft ASSY (B377) | |
| 7 | XA2526051 | Drop plate | | 50 | 132421051 | Bushing presser | |
| 8 | XA1914051 | Drop knob | | 51 | XA1975051 | Bushing presser L | |
| 9 | XA2199051 | Spring, Compression | | 52 | X57908051 | Taptite, Bind S M4x10 | |
| 10 | 048050346 | Retaining ring, E5 | | 53 | XA2855151 | Outer rotary hpok ASSY | |
| 11 | XA1907051 | Feed bar ASSY | | 54 | XA3353151 | Inner rotary hook ASSY | |
| 12 | X59916050 | Screw | | 55 | XA0360051 | Outer rotary hook shaft | |
| 13 | 012400432 | Set screw, Socket (FT) M4x4 | | 56 | XA2190050 | Washer U | |
| 14 | XA1909001 | Feed dog (B377) | | 57 | XA1976101 | Inner rotary hook bracket ASSY | CHG |
| | XA4980051 | Feed dog (B376, B375, B373) | | 58 | 060400816 | Screw, Bind M4x8 | |
| 15 | 060300516 | Screw, Bind M3x5 | | 59 | XA0361050 | Washer | |
| 16 | XA1910051 | Feed bar shaft | | 60 | XA0362051 | Washer | |
| 17 | 048025346 | Retaining ring, E2.5 | | 61 | 014400632 | Set screw, Socket (CP) M4x6 | |
| 18 | 014400432 | Set screw, Socket (CP) M4x4 | | 62 | XA5561051 | Thread cutter frame ASSY (B376, B375, B373) | |
| 19 | XA1911051 | Spring, Extension | | 63 | XA2584251 | Lower shaft ASSY (B376, B375) | |
| 20 | X54390051 | Taper point stud R | | 64 | XA4998051 | Lower shaft ASSY (B373) | |
| 21 | X57913051 | Taptite, Bind S M4x16 | | | | | |
| 22 | XA4542050 | Horizontal feed shaft bushing | | | | | |
| 23 | 052401406 | Screw, Pan (S/P washer) M4x14 | | | | | |
| 24 | XA2525051 | Spring, Compression | | | | | |
| 25 | X57345051 | Stud | | | | | |
| 26 | XA0030051 | Feed regulator slide block | | | | | |
| 27 | XA2527051 | Feed regulator ASSY | | | | | |
| 28 | X57908051 | Taptite, Bind S M4x10 | | | | | |
| 29 | XA3206051 | Plate | | | | | |
| 30 | XA2532051 | Spring, Extension | | | | | |
| 31 | XA2533051 | Feed regulating bar ASSY | | | | | |
| 32 | 048030346 | Retaining ring, E3 | | | | | |
| 33 | XA4940051 | Feed dial ASSY | | | | | |
| 34 | XA2551151 | Reverse sewing lever ASSY | | | | | |
| 35 | XA2561151 | Spring, Extension | | | | | |
| 36 | XA2560051 | Reverse sewing button | | | | | |
| 37 | X52073051 | Stud screw | | | | | |
| 38 | X53330050 | Washer | | | | | |
| 39 | X59411051 | Stud screw | | | | | |
| 40 | 060400816 | Screw, Bind M4x8 | | | | | |
| 41 | XA5556051 | Thread cutter ASSY (B377) | | | | | |
| 42 | XA2848151 | Movable blade ASSY (B377) | | | | | |
| 43 | X56133001 | Fixed blade (B377) | | | | | |



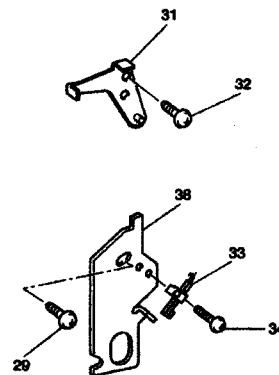
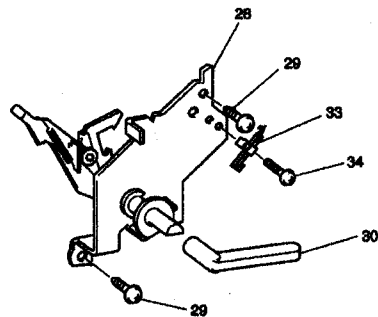
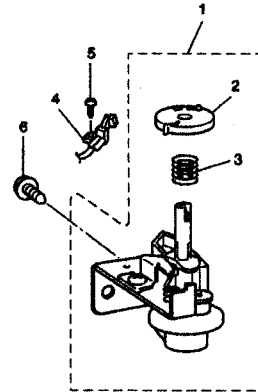
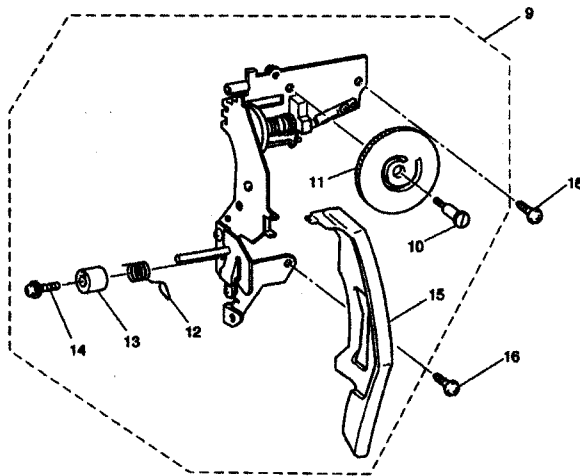
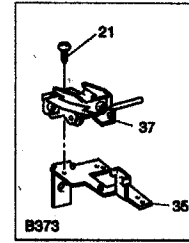
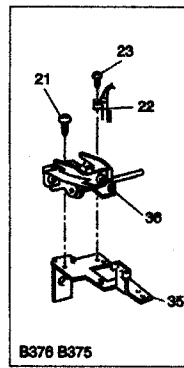
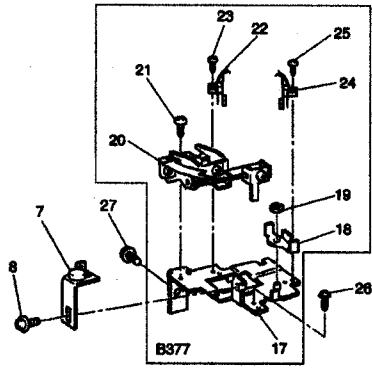
(4) ZIGZAG, BH MECHANISM AND PATTERN SELECT

| No. | CODE | NAME | REMARKS | No. | CODE | NAME | REMARKS |
|-----|-----------|-------------------------------------|---------|-----|-----------|------------------------|---------|
| 1 | XA4948051 | Z dial complete | | 43 | X57908051 | Taptite, Bind S M4×10 | |
| 2 | XA4951051 | Z dial ASSY | | 44 | XA2681051 | BH adjusting knob | |
| 3 | 048040346 | Retaining ring, E4 | | 45 | XA2682051 | Indication holder ASSY | |
| 4 | X57908051 | Taptite, Bind S M4×10 | | 46 | X57908051 | Taptite, Bind S M4×10 | |
| 5 | XA4956051 | Zigzag connecting rod A ASSY | | 47 | X53169050 | Band | |
| 6 | XA4958051 | Link | | 48 | XA1173051 | Spring, Extension | |
| 7 | 048030346 | Retaining ring, E3 | | | | | |
| 8 | X57447051 | Roller | | | | | |
| 9 | 048025346 | Retaining ring, E2.5 | | | | | |
| 10 | 025040133 | Washer, Plain S 4 | | | | | |
| 11 | 048030346 | Retaining ring, E3 | | | | | |
| 12 | X50559050 | Adjusting nut | | | | | |
| 13 | 062301006 | Screw, Pan M3×10 | | | | | |
| 14 | XA4959051 | Spring, Extension | | | | | |
| 15 | XA4960051 | Zigzag connecting rod B | | | | | |
| 16 | X50559050 | Adjusting nut | | | | | |
| 17 | 062301006 | Screw, Pan M3×10 | | | | | |
| 18 | X52005151 | Spring, Extension | | | | | |
| 19 | 048040346 | Retaining ring, E4 | | | | | |
| 20 | XA4962251 | BH lever hold plate ASSY | CHG | | | | |
| 21 | X57908051 | Taptite, Bind S M4×10 | | | | | |
| 22 | XA2601151 | BH change shaft | CHG | | | | |
| 23 | XA5025051 | BH stopper holder | | | | | |
| 24 | X57908051 | Taptite, Bind S M4×10 | | | | | |
| 25 | XA2608051 | BH change arm ASSY | | | | | |
| 26 | 014400832 | Set screw, Socket (CP) M4×8 | | | | | |
| 27 | XA4965051 | BH connecting rod ASSY | | | | | |
| 28 | XA4517151 | BH change ASSY | | | | | |
| 29 | X57908051 | Taptite, Bind S M4×10 | | | | | |
| 30 | XA4809051 | Pattern cam shaft ASSY (B377, B376) | | | | | |
| | XA4987051 | Pattern cam shaft ASSY (B375) | | | | | |
| | XA4999051 | Pattern cam shaft ASSY (B373) | | | | | |
| 31 | XA2629051 | Bushing presser | | | | | |
| 32 | XA2631051 | Shaft holder | | | | | |
| 33 | X57908051 | Taptite, Bind S M4×10 | | | | | |
| 34 | XA4618051 | Finger shaft ASSY | | | | | |
| 35 | X57913051 | Taptite, Bind S M4×16 | | | | | |
| 36 | XA4632051 | BHZ finger shaft ASSY | | | | | |
| 37 | XA2690051 | Taptite, Bind S M3×12 | | | | | |
| 38 | XA4634051 | Selecting dial holder ASSY | | | | | |
| 39 | X59154051 | Selecting dial | | | | | |
| 40 | 052401406 | Screw, Pan (S/P washer) M4×14 | | | | | |
| 41 | X57908051 | Taptite, Bind S M4×10 | | | | | |
| 42 | XA2668151 | BH adjusting holder ASSY | | | | | |



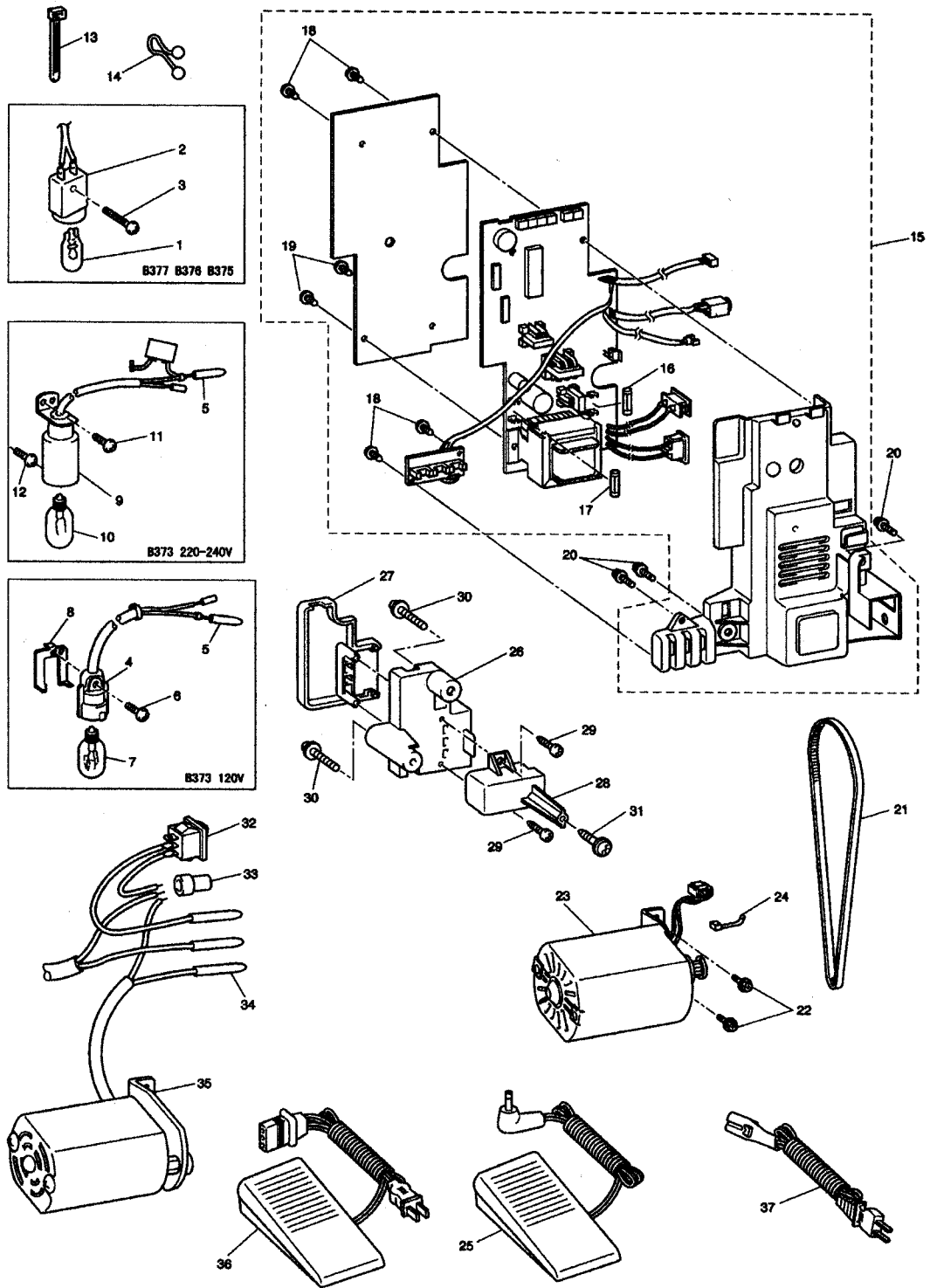
(5) BOBBIN WINDER AND THREAD GUIDE

| No. | CODE | NAME | REMARKS |
|-----|-----------|--|---------|
| 1 | XA5001051 | Bobbin winder ASSY | |
| 2 | XA2951001 | Bobbin base ASSY | |
| 3 | XA2696051 | Spring, Compression | |
| 4 | XA2777051 | BW switch ASSY | |
| 5 | 062260516 | Screw, Pan M2.6x5 | |
| 6 | X57908051 | Taptite, Bind S M4x10 | |
| 7 | XA2697051 | Bobbin winder thread guide ASSY | |
| 8 | 052300606 | Screw, Pan (S/P washer) M3x6 | |
| 9 | XA5563051 | Thread guard complete (B377) | |
| | XA5002052 | Thread guard ASSY (B376, B375) | |
| | XA5002051 | Thread guard ASSY (B373) | |
| 10 | X59984051 | Tension dial shaft | |
| 11 | X59985154 | Tension dial (B377, B376, B375) | |
| | X59985152 | Tension dial (B373) | |
| 12 | X58857051 | Thread take-up spring | |
| 13 | 132305051 | Thread take-up spring case | |
| 14 | 0A4401606 | Screw, Pan (S/P washer) M4x16 | |
| 15 | XA2704051 | Thread guard cover | |
| 16 | X57908051 | Taptite, Bind S M4x10 | |
| 17 | XA2705051 | Thread guard holder ASSY (B377) | |
| 18 | XA2709051 | Tension release plate C (B377) | |
| 19 | 048030346 | Retaining ring, E3 (B377) | |
| 20 | XA5565051 | Thread tension ASSY (B377) | |
| 21 | 060300416 | Screw, Bind M3x4 | |
| 22 | XA2734051 | PF switch ASSY (B377, B376, B375) | |
| 23 | 062260516 | Screw, Pan M2.6x5 (B377, B376, B375) | |
| 24 | XA2781151 | Thread cutter switch ASSY (B377) | |
| 25 | 062260516 | Screw, Pan M2.6x5 (B377) | |
| 26 | 060300416 | Screw, Bind M3x4 | |
| 27 | X57908051 | Taptite, Bind S M4x10 | |
| 28 | XA2963151 | Thread cutter holder ASSY (B377) | |
| 29 | X57908051 | Taptite, Bind S M4x10 (B377) | |
| 30 | XA2964252 | Thread cutter operation lever (B377) | |
| 31 | XA2749251 | Notched holder ASSY (B377) | |
| 32 | X57908051 | Taptite, Bind S M4x10 (B377) | |
| 33 | XA2779051 | BT switch ASSY (B377, B376, B375) | |
| 34 | 062260516 | Screw, Pan M2.6x5 (B377, B376, B375) | |
| 35 | XA4990051 | Thread guard holder (B376, B375, B373) | |
| 36 | XA4991051 | Thread tension ASSY (B376, B375) | |
| 37 | XA5004151 | Thread tension ASSY (B373) | CHG |
| 38 | XA5005051 | Reverse sewing lever stopper (B376, B375, B373) | |
| | | | |



(6) LAMP, MAIN PC BOARD ASSY AND MOTOR UNIT

| No. | CODE | NAME | REMARKS | No. | CODE | NAME | REMARKS |
|-----|-----------|---|---------|-----|-----------|---|---------|
| 1 | XA2037051 | WB sew-light bulb (B377,B376, B375) | | 26 | XA4853051 | 3P socket body (B373) | |
| 2 | XA2754051 | WBL lamp socket ASSY (B377,B376, B375) | | 27 | XA4654051 | 3P socket cover (B373) | |
| 3 | 002261205 | Screw, Pan M2.6 12 (B377,B376, B375) | | 28 | XA4655051 | Switch holder (B373) | |
| 4 | XA4882051 | Sub ASSY ; Lamp code (B373 120V) | | 29 | X59629051 | Taptite, Bind B M3 10 (B373) | |
| 5 | 138598051 | Socket pin (B373) | | 30 | 052401406 | Screw, Pan (S/P washer) M4 14 (B373) | |
| 6 | X57984051 | Taptite, Bind S M3 20 (B373 120V) | | 31 | XA3337051 | Taptite, Cup P M4 20 (B373) | |
| 7 | X53061050 | Sew-light bulb (B373 120V) | | 32 | XA1070051 | Power switch ASSY (B373 120V) | |
| 8 | XA4889050 | Lamp holder (B373 120V) | | | XA1073051 | Power switch ASSY (B373 220-240V) | |
| 9 | XA4886051 | Lamp ASSY ; E14 #182 (B373 220-240V) | | 33 | 214808050 | Connector (B373) | |
| 10 | 205336050 | Sew-light bulb (B373 220-240V) | | 34 | 138598051 | Socket pin (B373) | |
| 11 | XA1623051 | Taptite, Bind S M3 10 (B373 220-240V) | | 35 | XA4890051 | Motor ; YM-230-9C (B373 120V) | |
| 12 | 060300416 | Screw, Bind M3 4 | | | XA4891051 | Motor ; MM-513-53 (B373 230V) | |
| 13 | X53169050 | Band | | | XA4895051 | Motor ; MM-513-54 (B373 240V) | |
| 14 | XA1074050 | Code guide | | | XA4897051 | Motor ; MM-513-55 (B373 220V Korea) | |
| 15 | XA5677051 | PCB complete ; Power (B377 120V) | | | XA4899051 | Motor ; MM-513-52 (B373 220V) | |
| | XA5677052 | PCB complete ; Power (B377 230V) | | 36 | J00360051 | Foot controller ; FC-304-21 (B373 120V) | |
| | XA5677053 | PCB complete ; Power (B376, B375 120V) | | | XA6400051 | Foot controller ; FC-307-51 (B373 220-240V) | CHG |
| | XA5677054 | PCB complete ; Power (B376, B375 230V) | | | XA6402051 | Foot controller ; FC-307-52 (B373 U.K.) | CHG |
| 16 | XA1199051 | Glass fuse, 3.5A-A (B377, B376, B375 120V) | | | J00921051 | Foot controller ; FC-304-53 (B373 Australia) | |
| | XA1463051 | Glass fuse, 2AT (B377, B376, B375 230V) | | | XA6418051 | Foot controller ; FC-307-60 (B373 Korea) | CHG |
| 17 | XA4799051 | Glass fuse, 2A-B (B377 120V) | | | XA6418051 | Foot controller ; FC-307-61 (B373 Germany) | CHG |
| | XA2767051 | Glass fuse, 2A-B (B377 230V) | | | XA5791051 | Foot controller ; FC-304-65 (B373 China) | |
| 18 | X59629051 | Taptite, Bind B M3 10 (B373 B376,B375) | | 37 | XA2815051 | Power supply cord (B377, B376, B375 U.S.A. Canada) | |
| 19 | XA3337051 | Taptite, Cup P M4 20 (B377, B376,B375) | | | X59354051 | Power supply cord (B377, B376, B375 U.K.) | |
| 20 | 052401406 | Screw, Pan (S/P washer) M4 14 (B377, B376, B375) | | | XA0070051 | Power supply cord (B377, B376, B375 Europe) | |
| 21 | XA2992051 | Timing belt | | | X59328051 | Power supply cord (B377, B376, B375 Australia) | |
| 22 | XA3004051 | Bolt (S/P washer) M5 12 | | | XA1291051 | Power supply cord (B377, B376, B375 Korea) | |
| 23 | XA4901051 | Motor ; MM-513-21 (B377, B376, B373 120V) | | | XA5820051 | Power supply cord (B377, B376, B375 China) | |
| | XA4906051 | Motor ; MM-513-51 (B377, B376, B373 230V) | | | | | |
| 24 | 220681051 | Band 2.2 85 (B377, B376, B375) | | | | | |
| 25 | XA3931051 | Controller ; FC-306-81 (B377, B376, B375) | | | | | |



(7) ACCESSORY

| No. | CODE | NAME | REMARKS |
|-----|-----------|---|---------|
| 1 | X51162001 | Overcasting foot | |
| 2 | X59370051 | Zipper foot | |
| 3 | X59372051 | Blind stitch foot | |
| 4 | XA4973151 | Buttonhole foot | CHG |
| 5 | X57117051 | Needle pack (Regular single needle No.14 3PCS) | |
| 6 | X59296001 | Twin needle (1PC) | |
| 7 | X54243001 | Ripper | |
| 8 | X59476051 | Brush | |
| 9 | 130012053 | Spool holder (Large) | |
| 10 | 137988101 | Monogramming foot | |
| 11 | X59375051 | Button sewing foot | |
| 12 | 130920051 | Extra spool pin | |
| 13 | 130013053 | Spool holder (Small) | |
| 14 | X55467051 | Screwdriver | |
| 15 | XA3811051 | Bobbin (10set U.S.A.) | |
| | XA3812051 | Bobbin (10set Europe) | |
| 16 | X81021001 | Quilting foot (U.S.A.) | |
| | X81021002 | Quilting foot (Europe) | |
| 17 | 184987001 | Walking foot | |
| 18 | X80980001 | 1/4" seam guide foot (U.S.A.) | |
| | X80980002 | 1/4" seam guide foot (Europe) | |
| 19 | X61126051 | Carton (PS-2500) | |
| | X61126052 | Carton (PS-2300) | |
| | X61126053 | Carton (PS-2200) | |
| | X61126054 | Carton (STAR140E) | |
| | X61126055 | Carton (STAR120E) | |
| | X61126056 | Carton (STAR110) | |
| | X61126057 | Carton (STAR130E) | |
| 20 | X60439150 | Bag, 630 630 | |
| 21 | X80986151 | 697 SF ASSY | |
| 22 | X61046050 | Pad | |
| 23 | X60726050 | Foot controller box | |
| 24 | 194377011 | Operation manual (English, Spanish) | |
| | 194377012 | Operation manual (French, Dutch) | |
| | 194377013 | Operation manual (German, Italian) | |
| | | | |
| | | | |
| | | | |
| | | | |
| | | | |
| | | | |
| | | | |
| | | | |

